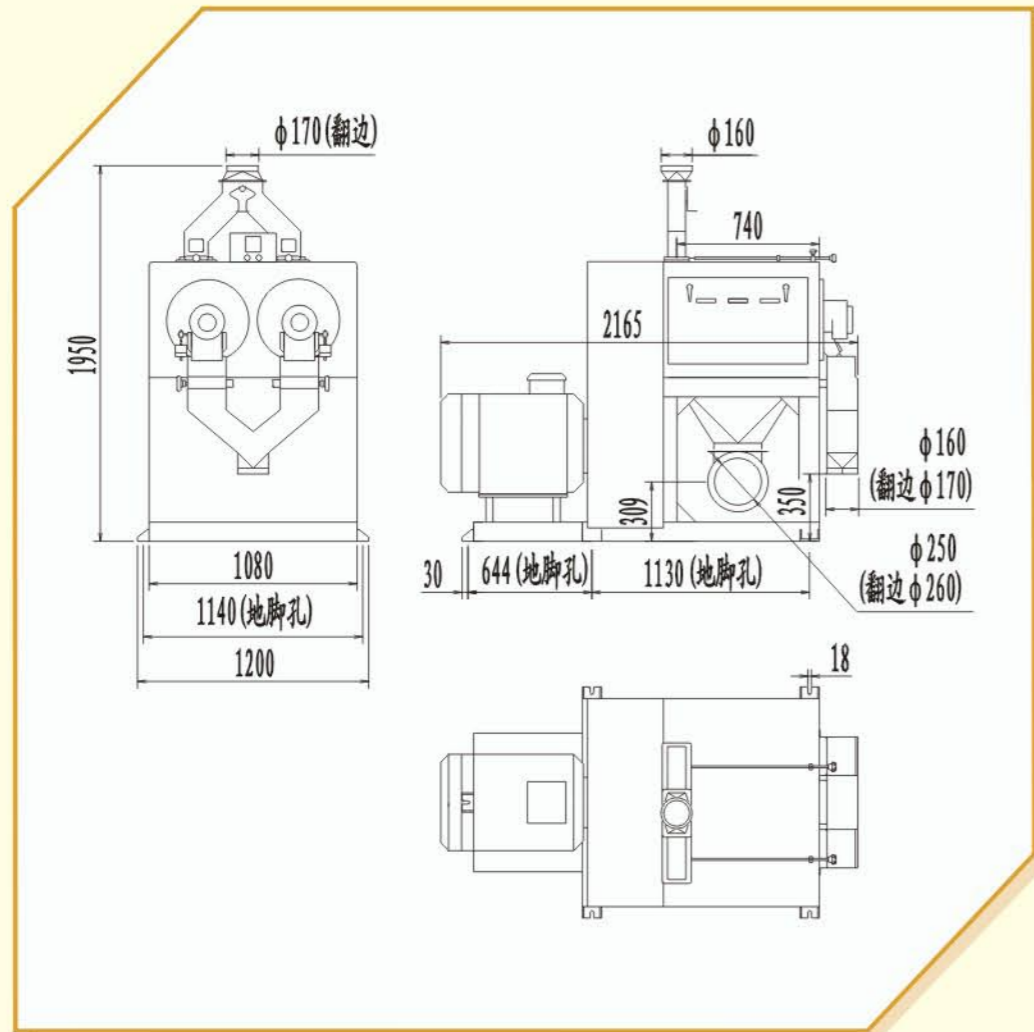


外形尺寸与地脚安装图 OVERALL DIMENSION



主要技术参数 MAIN TECHNICAL DATA

型号Type	MNMS25X2A
处理量Output ( t/h )	6-8
主机动力Power ( kw)	55-75
主轴转速Rotary speed (rpm)	680-1100
负压 Negative pressure (mmH <sub>2</sub> O)	250-350
风量Air volume ( m <sup>3</sup> /min )	50-60
机重Weight ( kg ) (含55kw电机)	1680

通过ISO9001国际标准质量体系认证

E-mail: yongxiangmiji@sohu.com http://www.hbyxlj.com

地址: 湖北省安陆市府河大道8号

ADD: 8 FUHE AVE. ANLU CITY, HUBEI, CHINA

电话(TEL): 0712-5254443 5254445 5258762 传真(FAX): 0712-5254443 邮编(POSTCODE): 432600

# MNMS25X2A双砂辊碾米机

## EMERY ROLL WHITENING MACHINE

二台合一  
省地又省钱

产量大  
5-6吨/小时

负压碾米  
糠粉少精度高



湖北永祥粮食机械股份有限公司

HUBEI YONGXIANG FOOD PROCESSING MACHINE CO.,LTD.

# MNMS25×2A

## 双砂辊碾米机

### EMERY ROLL WHITENING MACHINE

永祥®  
YONGXIANG



#### 用途简介 USE INTRODUCTION

MNMS25X2A 砂辊碾米机主要用于糙米开糙及碾白，该机是永祥在长期研发碾米技术基础上，最新推出具备较高性价比的双辊碾米机，该机采用双辊水平布局、并联使用的结构方式，具有产量大、精度高、占地面积小，维修方便、进料方式灵活等特点，是目前120-150吨优质大米加工企业理想的配套设备。

MNMS25x2A emery roller rice whitener is mainly used for brown rice milling as well as whitening. With high cost-effective and parallel structure of double roll, the machine features big capacity, high precision, small required area, easy to maintain and convenient to feed. It is ideal equipment for 120-150 T/day rice milling plant.



电流表显示



更换方便的筛托架



双料门控制



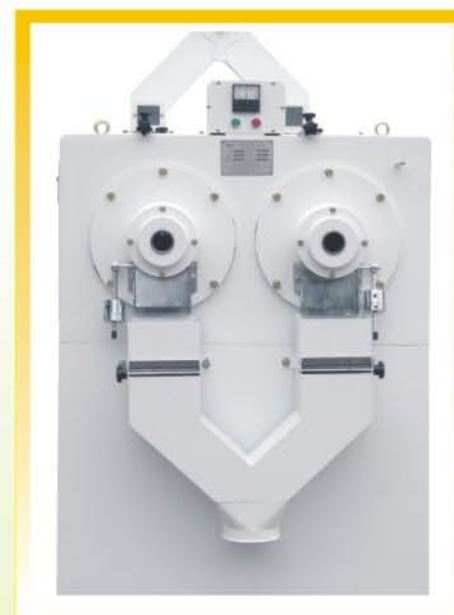
多点可调进风



方便的取样器



风门调节装置



#### 特点 FEATURE

- 本机双辊采用水平并列布置，结构紧凑，占有空间少。
- 进料方式灵活，双辊产量均衡，可以满足多种加工工艺路线需要。
- 采用强负压碾米，碾白室多点可调进风，产量大、精度高、米温低，加工好的大米糠粉少、碎米少。
- 本机配备电流表，操作简单方便。
- 选配多种转速的电机带轮，适应不同品种大米加工，可以获得恰到好处的加工效果。
- Due to parallel double rolls, the machine features compact structure, covering small required area.
- Flexible feeding and balanced production from twin-roll meet the needs of various of processing ways.
- Rice milling under strong negative pressure and multi-point adjustable air intake in whitening chamber feature big capacity, high precision, low rice temperature, less bran and broken rice.
- With amperemeter, it's convenient to operate.
- Supplying many kinds of motor pulleys can be suitable for different varieties.

碾米机械 永祥制造

