

TQSX160吸式比重去石机

TQSX160 吸式比重去石机主要适用于粮食加工厂。从小麦、稻谷中分离出并肩石等比重比粮食大的杂质，也可用于分离其它粮食中的杂质，该机的去石过程是：原粮在一定风力的作用下呈现悬浮状，靠重力沿筛板斜面下移流向出口，而石子和较重的杂质则沉在谷物底部，在鱼鳞筛板的驱动作用下沿筛面上移至去石口，完成去石过程。

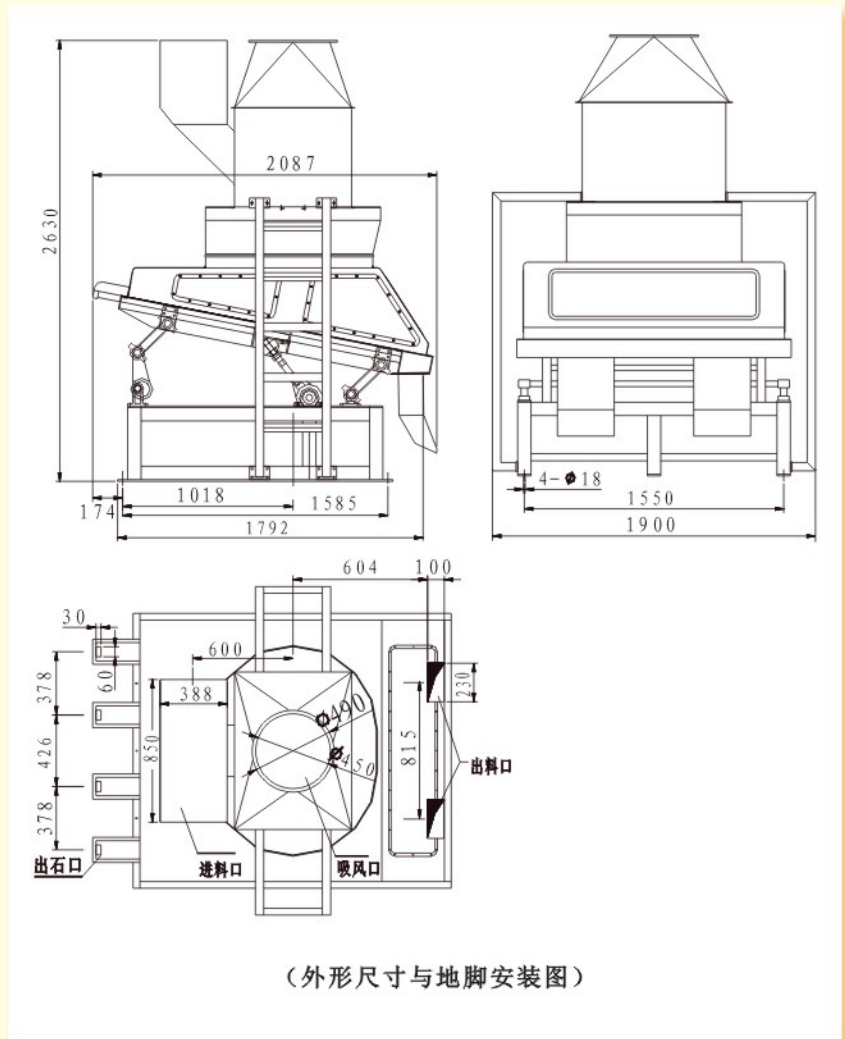
特点

- 性能好，产量大。
- 运行平稳，去石效果好。
- 无粉尘外扬，故障率低，操作方便。

TQSX160 suction type gravity stoner is mainly used for separating the impurities whose gravity are greater than grains such as grain-sized stones from wheat, paddy or other crops in grain processing plant. The process of removing stones: raw paddy, suspending due to the action of airflow, move downwards to their outlet along inclination sieve by dint of gravity, while stones and heavier impurities go down on the bottom of paddy and move upwards to their outlet impelled by shutter sieve.

Feature

- good performance , big capacity
- stable running, high stone-removing efficiency
- no dust leak, low failure rate, convenient to operate



主要技术参数

| | |
|------------------------------------|-----------|
| 型 号Type | TQSX160 |
| 处理量Output (t/h) | 7-10 |
| 主机动力Power (kW) | 1.5 |
| 风量Air volume (m ³ /h) | 9000-9500 |
| 机重Weight (kg) | 580 |

通过ISO9001国际标准质量体系认证

E-mail: yongxiangmiji@sohu.com <http://www.hbyxlj.com>

地址: 湖北省安陆市府河大道8号

ADD: 8 FUHE AVE. ANLU CITY, HUBEI, CHINA

电话(TEL): 0712-5254443 5254445 5258762 传真(FAX): 0712-5254443 邮编(POSTCODE): 432600